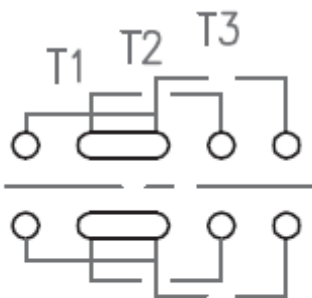
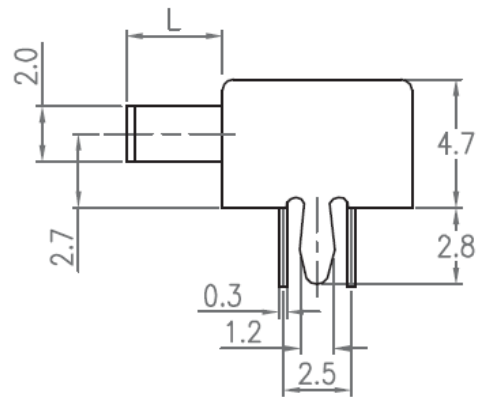
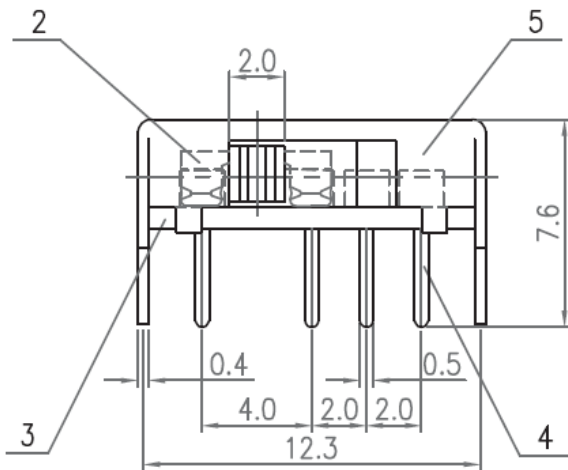


P.C.B. LAYOUT
TOP VIEW



CIRCUIT

6	SPRING	C5210	1	NATURAL
5	FRAME	SPCC	1	Ni PLATED
4	TERMINAL	C2680	8	Ag PLATED
3	BASE	PHENOLIC RESIN	1	NATURAL
2	CONTACT PLATE	C5210	2	Ag PLATED
1	KNOB	PA66	1	BLACK
NO	Parts	Material	Q'TY	FINISHING



銓基電子股份有限公司
ROKI ELECTRONICS CO., LTD.

PART NAME : SLIDE SWITCH

SCALE :

PART NO : ST23001-PF Series

UNIT : mm

TOLERANCE : ± 0.3 mm



VER : R03